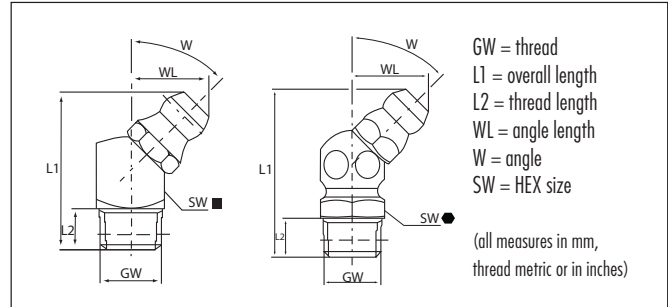


Type H2



Hydraulic-Type Grease Nipples

- according to DIN 71412
- angled version B/45° /67°
- optionally available with square or hexagonal body
- standard versions according to DIN are made of steel, zinc-plated and passivated, head case-hardened
- with tapered thread
- for other types and materials, please see table, or upon request



GW M 5 x 0.8						Ref.- No.:			
L1	L2	WL	W	SW		Steel	Brass	SST303	SST316L
23.5	5.5	10.5	45°	9mm HEX	●	1200901			

GW M 6 x 0.75						Ref.- No.:			
L1	L2	WL	W	SW		Steel	Brass	SST303	SST316L
20.5	5.5	10.5	45°	9mm SQ.	■	1204503			
23.5	5.5	10.5	45°	9mm HEX	●	1200903			

GW M 6 x 1.0						Ref.- No.:			
L1	L2	WL	W	SW		Steel	Brass	SST303	SST316L
20.5	5.5	10.5	45°	9mm SQ.	■	1204504			
23.5	5.5	10.5	45°	9mm HEX	●	1200904	1210904	1220904	1240904
17.5	5.5	12.3	67°	9mm SQ.	■	1404504			
20.5	5.5	12.2	67°	9mm HEX	●	1400904			

GW M 7 x 1.0						Ref.- No.:			
L1	L2	WL	W	SW		Steel	Brass	SST303	SST316L
23.5	5.5	10.5	45°	9mm HEX	●	1200905			

GW M 8 x 0.75						Ref.- No.:			
L1	L2	WL	W	SW		Steel	Brass	SST303	SST316L
23.5	5.5	10.5	45°	9mm HEX	●	1200906			

GW M 8 x 1.0						Ref.- No.:			
L1	L2	WL	W	SW		Steel	Brass	SST303	SST316L
20.5	5.5	10.5	45°	9mm SQ.	■	1204507			
23.5	5.5	10.5	45°	9mm HEX	●	1200907	1210907	1220907	1240907
17.5	5.5	12.3	67°	9mm SQ.	■	1404507			
20.5	5.5	12.2	67°	9mm HEX	●	1400907			

GW M 8 x 1.25						Ref.- No.:			
L1	L2	WL	W	SW		Steel	Brass	SST303	SST316L
20.5	5.5	10.5	45°	9mm SQ.	■	1204508			
23.5	5.5	10.5	45°	9mm HEX	●	1200908	1210908	1220908	
20.5	5.5	12.2	67°	9mm HEX	●	1400908			

GW M 10 x 1.0						Ref.- No.:			
L1	L2	WL	W	SW		Steel	Brass	SST303	SST316L
20.5	5.5	11	45°	11mm SQ.	■	1204709			
25	5.5	11.5	45°	11mm HEX	●	1201109	1211109	1221109	1241109
26	7	11.5	45°	11mm HEX	●	5242085			
47	7	11	45°	11mm SQ.	■	5242088			
25	5.5	11.5	67°	11mm HEX	●	1401109			

GW M 10 x 1.25						Ref.- No.:			
L1	L2	WL	W	SW		Steel	Brass	SST303	SST316L
25	5.5	11.5	45°	11mm HEX	●	1201110			

GW M 10 x 1.5						Ref.- No.:			
L1	L2	WL	W	SW		Steel	Brass	SST303	SST316L
25	5.5	11.5	45°	11mm HEX	●	1201111			1221111

GW M 12 x 1.0						Ref.- No.:			
L1	L2	WL	W	SW		Steel	Brass	SST303	SST316L
22.5	6.5	12	45°	14mm HEX	●	1201412			

GW M 12 x 1.5						Ref.- No.:			
L1	L2	WL	W	SW		Steel	Brass	SST303	SST316L
22.5	6.5	12	45°	14mm HEX	●	1201414			

GW M 12 x 1.75						Ref.- No.:			
L1	L2	WL	W	SW		Steel	Brass	SST303	SST316L
22.5	6.5	12	45°	14mm HEX	●	1201415			

GW M 14 x 1.5						Ref.- No.:			
L1	L2	WL	W	SW		Steel	Brass	SST303	SST316L
22.5	6.5	12	45°	14mm HEX	●	1201417			

GW M 16 x 1.5						Ref.- No.:			
L1	L2	WL	W	SW		Steel	Brass	SST303	SST316L
25.5	7	13.5	45°	17mm HEX	●	1201719			